



HIGH PERFORMANCE PUMP HEAD SEAL REPLACEMENT INSTALLATION GUIDE

DISCOVER MORE

For more Saris
Infrastructure products,
scan the QR code or visit
[sarisinfrastructure.com](https://www.sarisinfrastructure.com)



Tell Us What You Think!



**[Sarisinfrastructure.com/product/
high-performance-pump-head](https://www.sarisinfrastructure.com/product/high-performance-pump-head)**

Submit Your Installation Photos!

Nothing makes us happier than seeing our infrastructure products out in the wild!

Submit your photos at the link below.

www.sarisinfrastructure.com/contact/submit-photos



Thanks for purchasing a High Performance Pump Head!

Congratulations on choosing a world-class pump head! The High-Performance Pump Head is a durable, serviceable solution to pump head replacement.

Since the face – or part of the pump head that interfaces with the innertube valve – typically deals with a lot of abrasion from public use, we made ours out of stainless steel for enhanced durability and added removable T10 security torx hardware to make seal replacement easy. Now, you can replace the most wear-prone part of our pump head for about the same cost as a cup of coffee.

Please be sure to read and understand the following instructions before beginning your installation.

Everyone here at Saris wants you to be happy with this product.

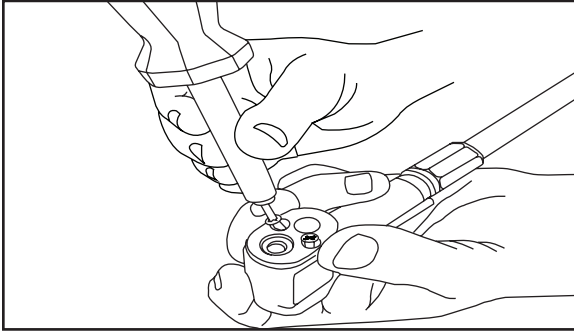
Please contact us at sales@sarisinfrastructure.com or 800-783-7257 should you need anything.

Tools Required

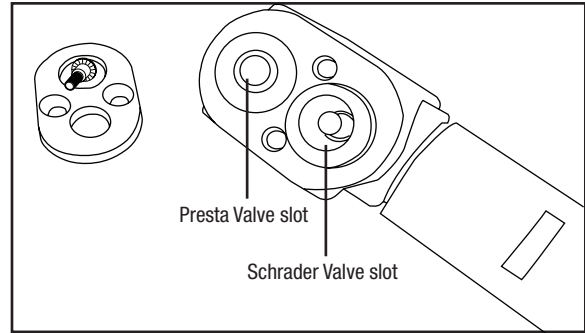
- T10 security torx bit (#28967, sold separately)
- Torque wrench (recommended)

High Performance Pump Head Seal Replacement

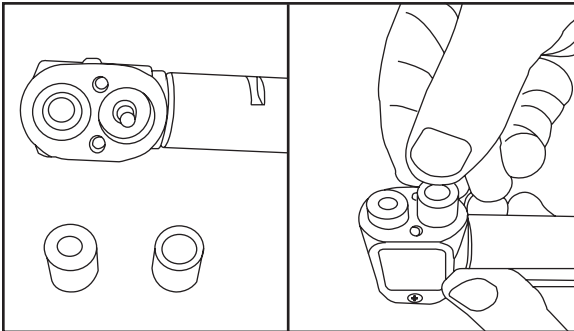
1. Remove the face plate bolts (x2) with a T10 security torx drive, then remove the face plate.



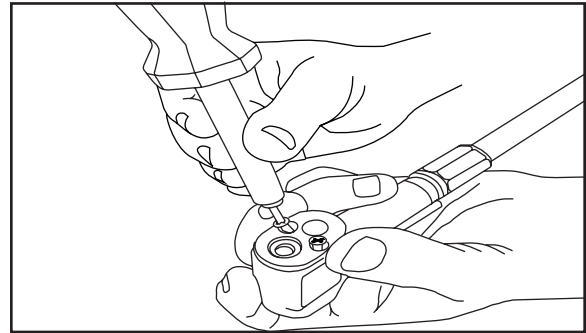
2. Note orientation of seals in the pump head.



3. Remove old seals and install new seals in the same orientation.



4. Reinstall the face plate, noting its orientation. The smaller hole on the face plate goes over the smaller hole on the seal. Tighten the face plate bolts to 10-15 in-lbs.



WARRANTY

WARNING: Manufacturer and seller expressly disclaim any and all liability for personal injury, property damage or loss, whether direct, indirect, or incidental, resulting from the incorrect attachment or inappropriate placement, improper use, inadequate maintenance, or neglect of this product. Placement of this product is beyond control of the manufacturer. It is the end users reasonability to place this product so as to avoid potential pedestrian or playground accidents.

WARRANTY: We warrant this product to the first consumer to be free from defect in material and workmanship for a period of one year from date of purchase. Please retain your sales slip for your records. Any product or part thereof found to be defective within that period will be replaced without charge provided that: (1) the product was not misused; (2) no alterations or modifications were made; (3) its failure resulted from a defect in material or workmanship and not from normal wear expected in the use of the product; (4) the product or part is delivered, freight prepaid, to Saris Products. Manufacturer's only obligation shall be to replace such products or parts proved to be defective.

Saris Infrastructure 5253 Verona Road Madison, WI 53711 (800)783-7257 www.sarisinfrastructure.com