

# WHEEL CHOCK



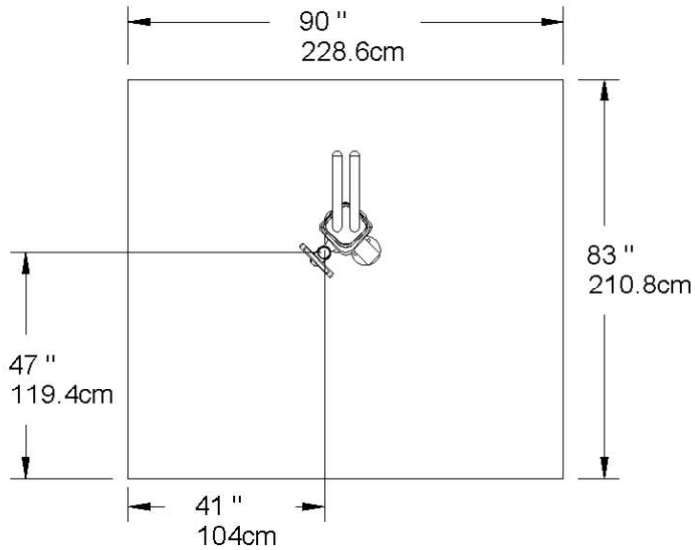
The Wheel Chock holds bikes upright while filling tires with air or making minor adjustments. With universal mounting, the Chock can be mounted to the ground with one of our pumps or mounted directly to our Deluxe Public Work Stand.

## Product Specifications

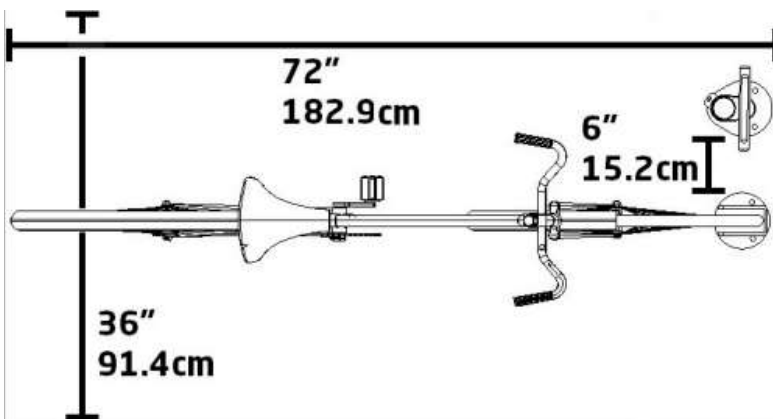
- Supports bikes without kickstands while inflating tires
- Tire friction stops roll-back
- Upright position eliminates trip hazard
- Accommodates tires up to 2.75" and wheel diameters up to 29"
- Cannot lock bikes to wheel chock
- ADA compliant

# Wheel Chock

## Layout with deluxe public work stand mount



## Layout with pump



Installation hardware included



Laser cut flat steel



Powder coat stainless steel finish

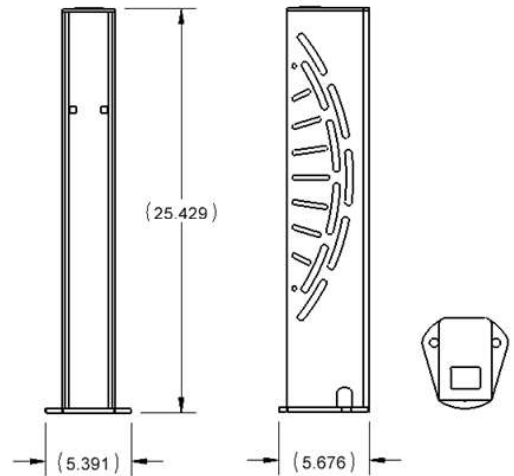


2 year warranty



Made in the USA

## Wheel Chock line drawing dimensions



### Dimensions

Model #	Finish with additional color options	Weight	Length	Width	Height
26195S	Stainless	16 lbs.	6"	6"	25.5"
26195BLK	Black Powdercoat	16 lbs.	6"	6"	25.5"
26195RED	Red Powdercoat	16 lbs.	6"	6"	25.5"
26195ORG	Orange Powder Coat	16 lbs.	6"	6"	25.5"
26195BLU	Blue Powder Coat	16 lbs.	6"	6"	25.5"
26195DGREN	Green Powder Coat	16 lbs.	6"	6"	25.5"
26195YLW	Yellow Powder Coat	16 lbs.	6"	6"	25.5"

Design files and additional product resources available online at [sarisinfrastructure.com](http://sarisinfrastructure.com)