

WALL MOUNTED WORK STAND



Space doesn't have to be a limiting factor when it comes to making a DIY, public-use bicycle repair area. The Wall Mounted Work Stand is a super tough, wall-mounted option for providing access to the most commonly used bicycle repair tools. When paired with an air pump, you've got a super space-efficient DIY bicycle repair area that cyclists will love!

Product Specifications

- Designed for indoor or outdoor use
- Wall mount design; small footprint is perfect for small spaces
- Can be mounted to posts using U-bolt holes in back panel slots
- Pairs perfectly with Saris Bike Pumps
- Tools securely attached by braided stainless steel cables

Wall Mount Work Stand

Recommended Setbacks



Laser-cut flat plate & thick-wall DOM tubing



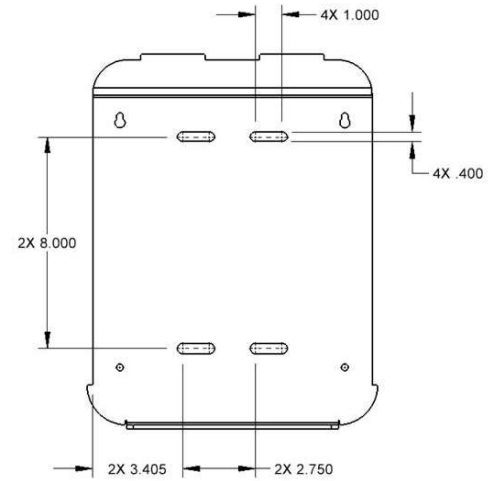
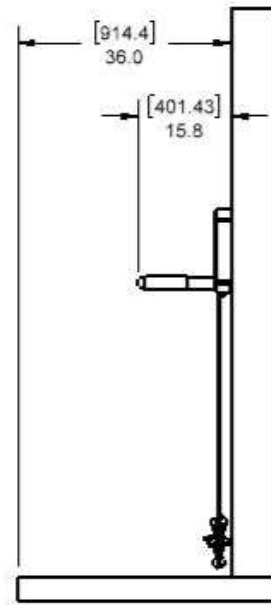
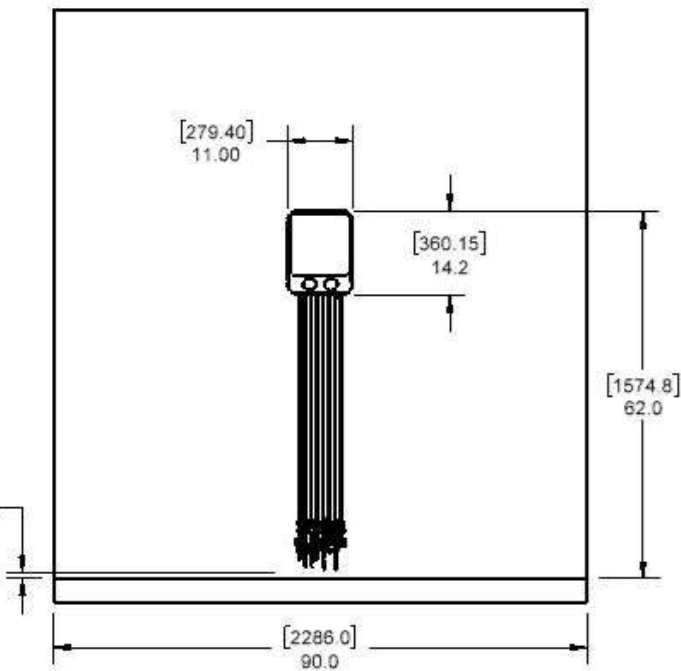
Powder Coat



2 year warranty



Made in the USA



Rear mounting plate dimensions for installation

Tools Included



- Philips & standard screwdrivers
- Steel core tire levers (2)
- Headset/pedal wrench
- 8/10mm cone wrench
- 9/11mm cone wrench
- Torx T-25
- Hex key set

Dimensions

Model	Finish	Type of Mount	Weight	Length	Height With Tools	Width
29755BLK	Black Powder Coat	Wall/Post	29 lbs.	16"	61"	11"
29755RED	Red Powder Coat	Wall/Post	29 lbs.	16"	61"	11"

Design files and additional product resources available online at sarinfrastructure.com