

PUBLIC WORK STAND



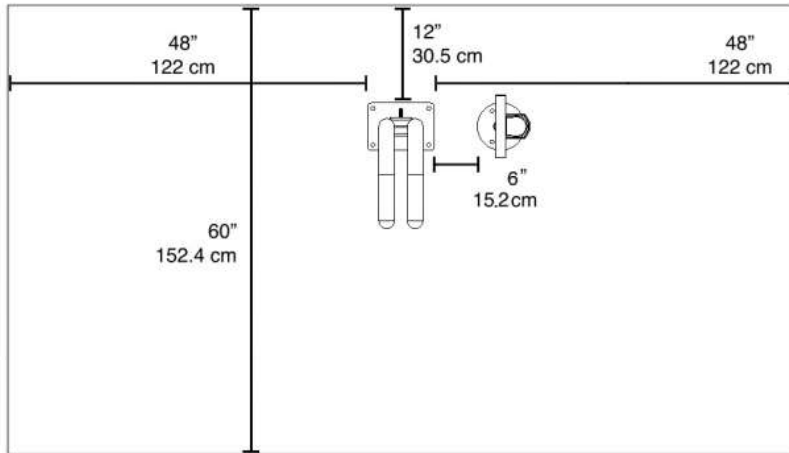
The Public Work Stand puts the tools where people need them the most – on trails, near the streets, and in bike rooms. With nine basic tools and designed to be placed either inside or outside, the Public Work Stand provides cyclists with a lifeline along with all the tools needed for minor bicycle repairs and adjustments.

Product Specifications

- Universal bike mounting – hang by seat or top tube
- Nine common bicycle tools tethered by stainless steel aircraft cable
- Unique I-beam design eliminates possibility of locking a bike to the station
- ADA-compliant design
- QR code to maintenance instructions for viewing from smartphone
- Installation hardware included
- Splayed tool configuration prevents cable tangling

Public Work Stand

Recommended Setbacks W/ pump



Stainless-steel aircraft cable



Thick-walled DOM tubing



Powder coat finish



Installation hardware included



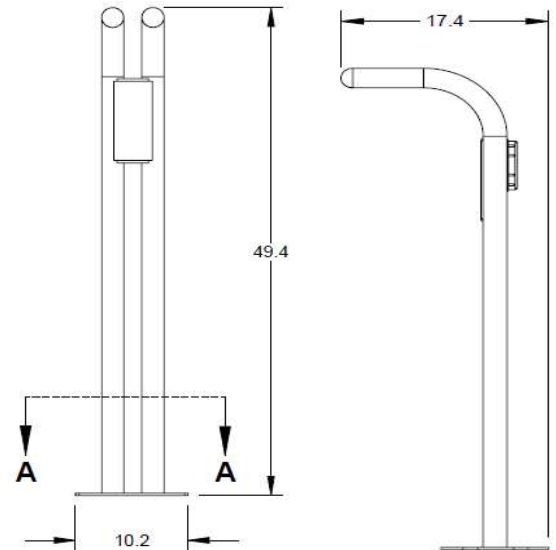
2 year warranty



Made in the USA

Included Tools

- Philips & standard screwdrivers
- Steel core tire levers [2]
- Headset/pedal wrench
- 8/10mm cone wrench
- 9/11mm cone wrench
- Torx T-25
- Hex key set



Dimensions

Model #	Finish with additional color options	Type of Mount	Weight	Length	Width	Height
26302BLK	Black Powder Coat	Flange	43 lbs.	8.5"	16"	49.5"
26302RED	Red Powder Coat	Flange	43 lbs.	8.5"	16"	49.5"
26302ORG	Orange Powder Coat	Flange	43 lbs.	8.5"	16"	49.5"
26302BLU	Blue Powder Coat	Flange	43 lbs.	8.5"	16"	49.5"
26302DGREN	Green Powder Coat	Flange	43 lbs.	8.5"	16"	49.5"
26302YLW	Yellow Powder Coat	Flange	43 lbs.	8.5"	16"	49.5"

Design files and additional product resources available online at sarinfrastructure.com